



DATA SHEET

Model No. : High Power LED Ceiling Light 3×1W

Description:

- High Power Leds
- 3×1W
- 93.0×93.0×45.2mm

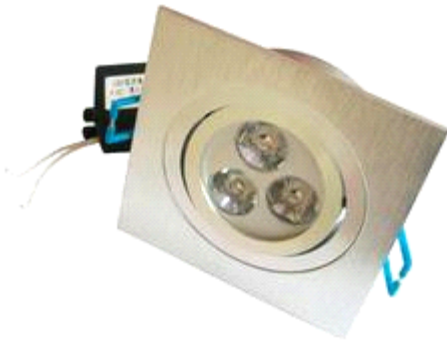


Add: No.5 Seoul Road, Qingdao Free Trade Zone, Shandong, China
Tel: +86-0532-86769291/86760027/86760028
Fax: +86-86760029
Web: <http://www.qdhehui.com/>



Part No: High Power LED Ceiling Light 3×1W

Picture:



Features:

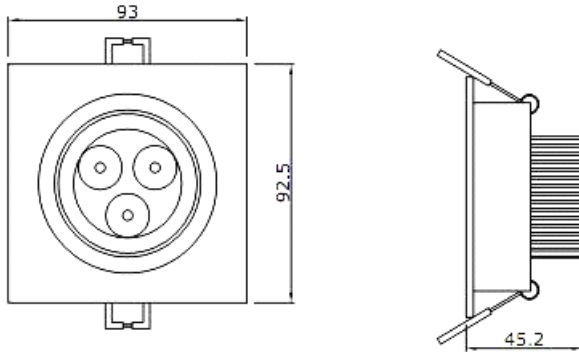
- ※High luminous intensity.
- ※High efficiency
- ※Wide input voltage: 85~265V AC
- ※Instant light
- ※Available for all colors
- ※Easy-equipped
- ※More energy efficient than incandescent and most halogen lamps
- ※No UV
- ※Very long operating life (50000h)

Applications

1	General lights
2	Decorative and entertainment illumination
3	Signal and symbol luminaries for orientation marker lights



Dimensions



- Notes: 1. All dimensions unit in mm.
2. The tolerance is $\pm 0.25\text{mm}$ unless otherwise noted.

Optical Characteristics

Part No.	Color	Qty of LEDs (PCS)	Wavelength (nm)/ C T (K)	Luminous Flux (Lm)	Color-rendering Index(Ra)
HH-CLS3×1WR	Red	3	625	100	—
HH-CLS3×1WG	Green	3	520	180	—
HH-CLS3×1WB	Blue	3	465	60	—
HH-CLS3×1WY	Yellow	3	590	100	—
HH-CLS3×1WWW	White	3	6500K	280	≥ 70
HH-CLS3×1WWR	Warm White	3	3000K	280	≥ 70

Note: The tolerance of color temp (CT) and luminous flux are $\pm 10\%$.

Absolute Maximum Ratings (Ta =25℃)

Items	Symbol	Rating	Unit
Input Voltage	Vin	AC85-265	V
Operating Frequency	F	50-60	Hz
Power Dissipation	Pd	3	W
Operating Temperature	Tope	-30—+50	℃
Storage Temperature	Tsto	-40—+80	℃



Typical Performance (Ta =25°C)

Items	Symbol	Min.	Typ.	Max.	Unit
Input Voltage	Vin	85	220	265	V
Viewing Angle	θ	—	15	—	deg
Net Weight	W	—	218	—	g
Estimated Life	Life	—	50000	—	hrs
Body Temperature	T	—		45	°C

Notes:

1. The estimated life of tube light with Hehui 's lamps are estimated base on the LED light 4-8 hours each day.
2. The brightness and operating voltage can be designed according to customer specifications.
3. Rank rations will be determined by Hehui, if you have any request or queries for Hehui products, please directly contact salesman.
4. Specifications are subject to change without notice.